



Handicare Freecurve stairlift

FOR CURVED STAIRCASES

MEDm&bility
5711- 104 St, Edmonton AB. T6H 2K1
www.edmontonstairlift.com
P: 780-437-3300

This Single-Tube Design is an Elegant Solution for Your Curved or Turning Staircase

The Freecurve stairlift is built just for you – with a custom fabricated curved rail that hugs the curves of your staircase providing the optimum fit. Even narrow or steep staircases can usually be accommodated thanks to the 2-way power swivel option that turns the seat as the stairlift descends or ascends. Add other options such as the active seat that gently raises you out of the chair making it easier to get in and out. An optional parking feature allows the lift to be parked away from the bottom or top of the stairs. The Freecurve single rail stairlift system is a great choice for stairs that feature turns, curves and pie-shaped stairs.



With our proprietary photo measuring system, your stair measurements are precisely taken for custom rail fabrication in North America. You can also ask to see how the stairlift will look on your stairs before placing an order.

 **savaria**

Handicare **Freecurve** | Single-Tube Curved Stairlift

With a choice of seats and seat fabric colors, get just what you need to ride in comfort and style. See back page for chair measurements for each seat, including armrest width.



Alliance

The two-tone beige and brown leatherette upholstery has a slim and smart look.



Elegance

With extra-soft leatherette and armrests that adjust for extra width, many people choose this seat for pleasing comfort.



Classic

With its ergonomic and therapeutic design, this leatherette seat may provide the ultimate comfort for many users.

The Active Seat Option

The active seat option and body harness is available for the Alliance or Elegance seat styles. Neither the body harness, nor the active seat options are available for the Classic.



Color Options

Seat Colors



Beige

Brown

Slate

Standard Rail Colors



Cream White

Brown

Grey

Custom rail colors available at additional charge

Power Up Convenience

Powered Swivel Seat

To make it easier to get off the lift at the top landing, choose the optional powered swivel. With a touch of a button the seat turns up to 80 degrees to face the floor level for a secure feeling to step off the lift.

Two-way Power Swivel

This option accommodates narrow staircases by automatically turning the chair on an angle as it moves up and down the stairs providing adequate clearance for the lift to pass.

Powered Footrest

Choose the powered folding footrest to eliminate bending down to close the footrest. This option includes LED illumination for added safety.

Powered Hinge

To eliminate the potential tripping hazard of the rail at the bottom landing, add the powered folding hinge to move the rail out of the way.

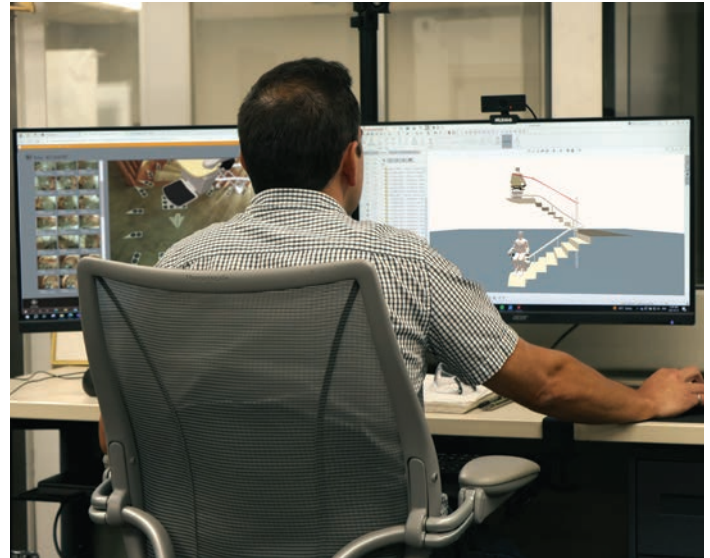
Parking Feature

The Freecurve can be parked at the bottom and/or top landings to keep the lift away from the bottom of the stairs. This provides an area for easy on and off of the lift, and keeps the stairs clear of the chair when not in use. Parking can be added for 90 degree or 180 degree turns.

Drop Nose

A simple solution for a less obtrusive rail at the bottom landing is the optional drop nose rail feature.

see **before**
you buy



Home Assessment

MEDmobility will conduct a home assessment that includes precision photo measuring with our unique PS4D system to ensure a perfect fit. Our leading edge system shows you in 3D how the stairlift will look on your staircase – before you place your order!

Fabrication and Installation

Our engineers create a computer-aided drawing for custom fabrication in our North American factory. The standard capacity stairlift features fewer floor stanchions than other curved stairlifts for a sleeker appearance. Installation by your local dealer takes a few hours to a full day.

Standard Features

Single Rail

Many people prefer the look of the single tube rail on their stairs. The Freecurve rail is custom made to follow the curves and turns of your stairs as tightly as possible, leaving room on the stairs for others and keeping the rail less obtrusive.

Safety Matters

Standard safety features include a retractable seatbelt, overspeed brake and obstruction sensor system on both the footrest and the carriage. Anti-slip material is featured on the footrest.

Battery Powered

The Freecurve includes built-in charging stations to keep your stairlift charged and ready. You can use the lift several times during a power outage.

Easy to Use

The easy-to-push joystick is built into the armrest to control up and down operation. You will also receive two remote controls in order to call the stairlift up or down the stairs as needed.

Compact Design

The seat and footrest fold up to keep the chair compact when not in use.

Swivel Seat

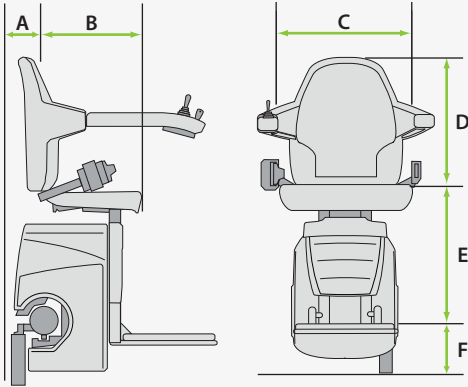
A manual swivel seat lever allows the user to turn the seat away from the stairs at the top landing before getting off the lift.

Handicare **Freecurve** | Single-Tube Curved Stairlift

Dimensions

Classic Seat

- A** 4.1–4.9" (105–125 mm)
- B** 14.6" (370 mm)
- C** 17.3" (440 mm)
- D** 15.7" (400 mm)
- E** 18.7" (475 mm)
- F** 3.9" (100 mm)



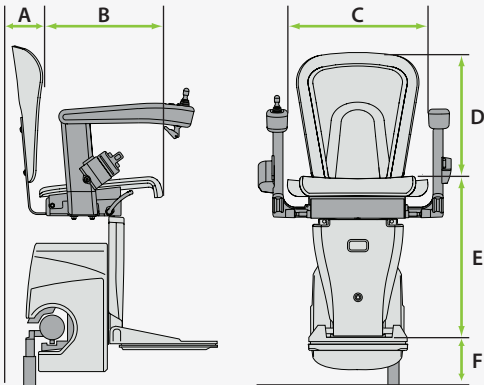
Specifications

Applications	Residential, indoor
Capacity	275 lb (125 kg)
Nominal Speed	21 ft/min (0.11 m/s)
Drive	Rack and pinion
Motor	0.5 hp, 24V (DC) power that charges on standard household power
Fold-up Depth	16.5–17.4" (419–442 mm)
Fold-out Depth	25.1–26" (638–660 mm)
Range of Incline	0° to 61°
Warranty	24 months parts and limited lifetime on rail and powertrain*
Standard Features	Retractable seat belt, emergency stop button, obstruction sensors, non-slip footrest, battery powered for use during power failure (several trips), two remote controls, armrest control, keyed switch to prevent unauthorized use

*see dealer for complete details

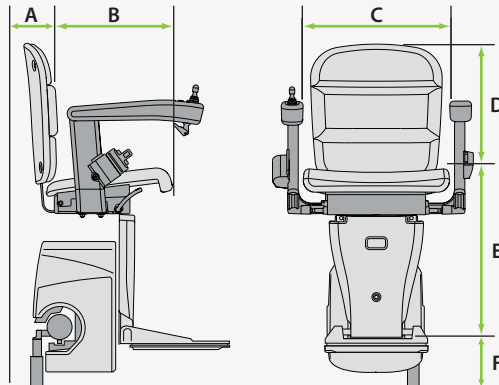
Alliance Seat

- A** 4.1–4.9" (105–125 mm)
- B** 14.9" (380 mm)
- C** 17.1–18.3" (435–465 mm)
- D** 15.5–16.3" (395–415 mm)
- E** 19.3" (490 mm)
- F** 3.9" (100 mm)



Elegance Seat

- A** 4.3–5.1" (110–130 mm)
- B** 14.9" (380 mm)
- C** 17.1–18.3" (435–465 mm)
- D** 15.5–16.3" (395–415 mm)
- E** 19.3" (490 mm)
- F** 3.9" (100 mm)




Please note that all dimensions can vary slightly due to specific site installations and adjustments.

1.888.333.5023 savariahomeaccess.com

Choose MEDmobility for your stairlift and gain a trusted partner in home accessibility. With over 30 years of experience in Alberta, we provide reliable solutions tailored to your needs, handling every detail —from installation to coordination with trusted contractors. Enjoy comfort, safety, and peace of mind with MEDmobility by your side

MEDmobility
 5711- 104 St, Edmonton AB. T6H 2K1
www.edmontonstairlift.com
 P: 780-437-3300

 **savaria**

 **handicare** is a division of Savaria Corporation
 10888 Metro Court St. Louis MO 63043 USA

Savaria makes every effort to publish accurate information. Specifications and options are subject to change without notice.
 © 2024 Savaria Corporation.